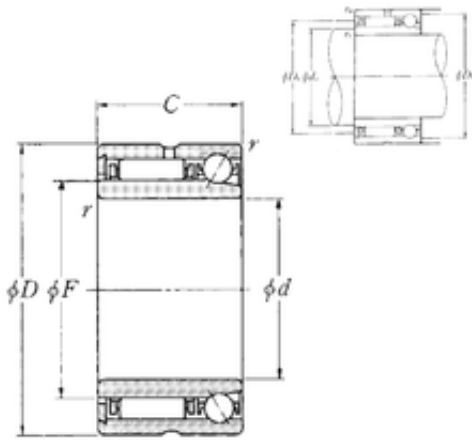




NTN Condutores de carga, INC.

65 mm x 90 mm x 34 mm NTN NKIA5913 Cojinetes Complejos

Bearing No. NKIA5913



NKIA5913 Bearing 2D drawings and 3D CAD models

Size	65x90x34 mm
Bore Diameter	65 mm
Outer Diameter	90 mm
Width	34 mm
d	65 mm
F	75 mm
D	90 mm
B	34 mm
C	34 mm
r min.	1 mm
da min.	71 mm
Da max.	78,5 mm
ra max.	1 mm
Db max	84 mm
Weight	0,708 Kg
Dynamic load rating radial (C)	46 kN
Dynamic load rating axial (C)	15,2 kN
Static load rating radial (C0)	106 kN
Static load rating axial (C0)	39 kN
(Grease) Lubrication Speed	3700 r/min