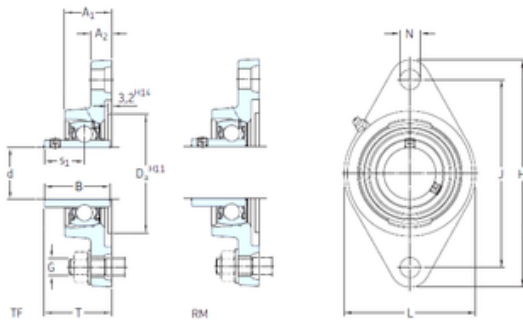




# NTN Condutores de carga, INC.

## SKF FYTJ 1.3/4 TF Unidad De Rodamiento



Bearing No. FYTJ 1.3/4 TF

Bore Diameter	44,45 mm
Width	49,2 mm
d	44,45 mm
s1	30,2 mm
A1	38 mm
B	49,2 mm
G	16 mm
H	188 mm
J	148 mm
L	108 mm
N	19 mm
T	52,2 mm
A2	18 mm
Weight	2,2 Kg
Basic dynamic load rating (C)	33,2 kN
Basic static load rating (C0)	21,6 kN
Fatigue load limit (Pu)	0,915
Housing material	Cast iron
D <sub>a</sub>	98.4 mm
D <sub>b1</sub>	102 mm
D <sub>b2</sub>	108 mm
A	38 mm
A <sub>1</sub>	18 mm
A <sub>3</sub>	3.2 mm
B <sub>4</sub>	8 mm
s <sub>1</sub>	30.2 mm

FYTJ 1.3/4 TF Bearing 2D drawings and 3D CAD models



## NTN Condutores de carga, INC.

$R_G$	1/4-28 UNF
$R_1$	23 mm
R	45 °
$D_N$	6.5 mm
$SW_N$	7 mm
$G_N$	1/4-28 SAE-LT
$J_6$	120 mm
$J_7$	18 mm
$N_4$	2 mm
Basic dynamic load rating C	33.2 kN
Basic static load rating $C_0$	21.6 kN
Fatigue load limit $P_u$	0.915 kN
Limiting speed	4300 r/min
Mass bearing unit	1.8 kg
Thread grub screw $G_2$	5/16-24 UNF
Hexagonal key size for grub screw N	3.969 mm
Recommended tightening torque for grub screw	6.5 N · m
Recommended diameter for attachment bolts, mm G	16 mm
Recommended diameter for attachment bolts, inch G	0.625 in
Housing	FYTJ 509
Bearing	YAR 209-112-2F