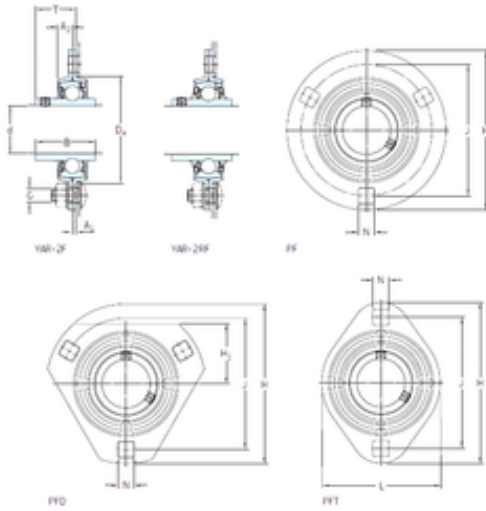




# NTN Conductores de carga, INC.



PFT 30 FM Bearing 2D drawings and 3D CAD models

## SKF PFT 30 FM Unidad De Rodamiento

Bearing No. PFT 30 FM

Bore Diameter	30 mm
d	30 mm
Da	71 mm
A1	2,5 mm
B1	35,7 mm
G	10 mm
H	112 mm
H1	– mm
J	90,5 mm
L	84 mm
N	10,5 mm
T	29,2 mm
A2	9,5 mm
Weight	0,46 Kg
Basic dynamic load rating (C)	19,5 kN
Basic static load rating (C0)	11,2 kN
Housing material	Pressed steel
Da min.	67 mm
A <sub>1</sub>	2.5 mm
A <sub>2</sub>	9.5 mm
B <sub>1</sub>	35.7 mm
B <sub>4</sub>	5.95 mm
s <sub>1</sub>	26.7 mm
Basic dynamic load rating C	19.5 kN
Basic static load rating C <sub>0</sub>	11.2 kN
Fatigue load limit P <sub>u</sub>	0.475 kN



## NTN Condutores de carga, INC.

Limiting speed	6300 r/min
Mass bearing unit	0.47 kg
Thread grub screw G <sub>2</sub>	M8x1
Hexagonal key size for grub screw N	4 mm
Recommended tightening torque for grub screw	6.5 N · m
Recommended diameter for attachment bolts, mm G	10 mm
Recommended diameter for attachment bolts, inch G	0.375 in
Housing	PFT 62
Bearing	YET 206